

Parts Included:

- 1 – Screen Door
- 1 – Header Track
- 1 – Side Track
- 1 – Plastic bag containing:
 - 12 - #6 x 1" panhead screws
 - Interior handle
 - Exterior handle
 - 2 - #6 x 3/4" flathead screws
 - 1 - #6 x 3/8" flathead screws
 - Installation instruction sheet

Tools Needed:

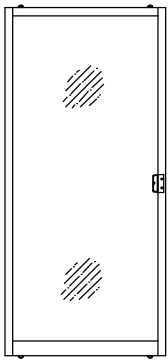
- #2 Phillips Screwdriver
- Flat Blade Screwdriver
- Utility Knife
- Hacksaw
- Safety Glasses

3 Cut the side tracks (c-channels) to size with a hacksaw. Align each side track to header track and sill track. Install side tracks using 5-6 #6x1" screws per track.

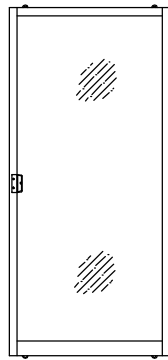
For a french door (shown below), install the side tracks to side jambs (for 4 9/16" jamb unit, the outer side track is installed to the side brickmold). For a triple-unit french door or a french door with double sidelites, depending on the configuration, the outer side track is installed to a mullion cap or a side jamb (brickmold for 4 9/16" jamb unit).

For a double patio unit with one swinging door, one side track is installed to a jamb (brickmold for 4 9/16" jamb unit). For triple patio unit with one swinging door, depending on the configuration, side track may be installed on a mullion cap or a side jamb (brickmold for 4 9/16" jamb unit). For the above patio units with single swinging door, screen door is installed on the outer track.

INSTALLATION:



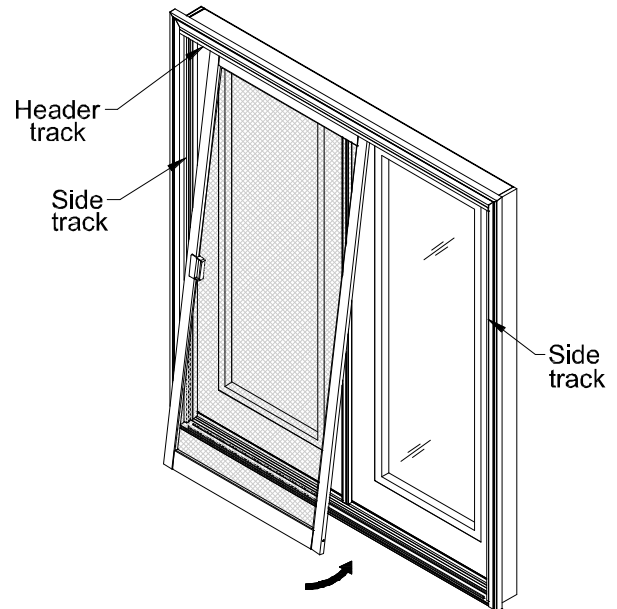
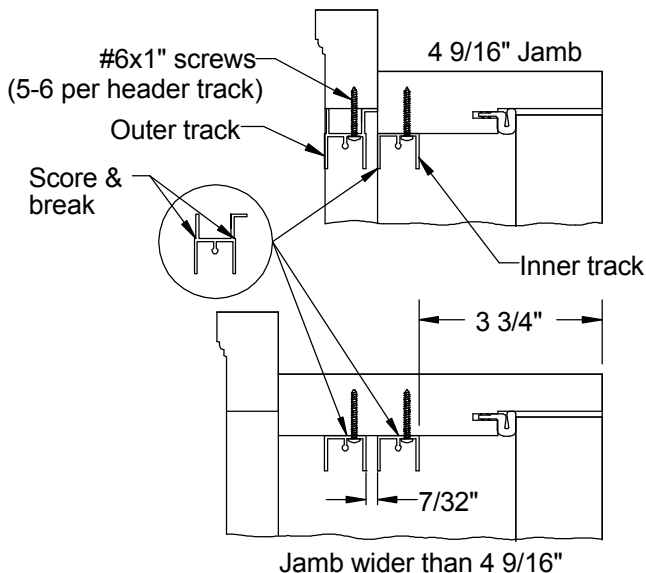
Left Hand Screen
(View from Inside)



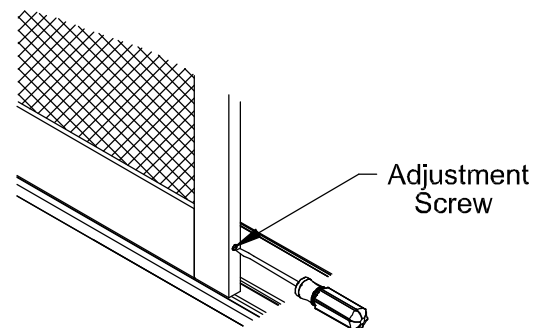
Right Hand Screen
(View from Inside)

1 Install the handle at pre-drilled location. Interior handle is the one with two mounting screws.

2 Cut the header tracks to size with a hacksaw. For the header tracks that are installed onto a jamb, score the upper flanges with utility knife and break the flanges as shown below. Figures below show header track installation for a french door (where 2 screen door kits are required). Double or triple patio door unit with one swinging door require just one header track mounted for the outer track.



4 For each screen door, install the top end of the screen door to the header track as shown above. Then position the bottom end of the screen to the sill track. Make sure that the bug seal is facing the interior side.



5 Raise and level the screen door about 1/8" off the sill by adjusting the bottom rollers as shown in the figure above. Do not over-tighten the screw. When screen doors are installed, make sure that bug seals are making a good seal at mullion or with inner screen door in case of a french door.